

Hydromotion Inc.

POWER PLATETM POWER PLATETM XD

BREAKTHROUGH TECHNOLOGY IN
ROTARY ELECTRIC UNIONS

- Application Versatility
- Reliability
- Long Life
- Low Electrical Noise

The Continuous Connection Way to Transfer Power and Information in Rotary Applications

DEFEATING THE CHALLENGES IN ROTARY

CONTINUITY IS CRITICAL

Intermittent transmission of electrical power and data through rotating connections can cause unreliable, and even unsafe, operation of your product. Corrosion, wear, arcing, and contamination in conventional slip rings may be at fault. There is just one best answer. It's the breakthrough, continuous connection technology* in the POWER PLATE™ family of slip plates.

POWER PLATE slip plates are built around Hydromotion's exclusive rotating contact plates. This design guarantees full-time, 360 degree contact between the fixed and rotating elements. It eliminates dead zones and the deterioration that lead to intermittent operation or total failure. The result is trouble-free transmission for power, a noise-free channel for CAN/BUS and other multiplexed signal communications, low ownership cost, and a long life cycle.

*Patent pending

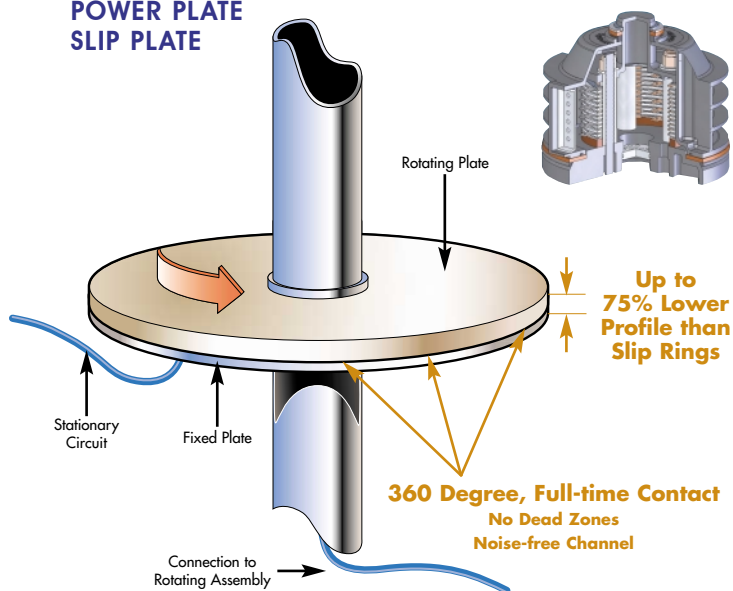
MAKING YOUR PRODUCT BETTER

Hydromotion engineers the POWER PLATE family of products to perform and build value for you and your customers, in tough environments in a world of applications.

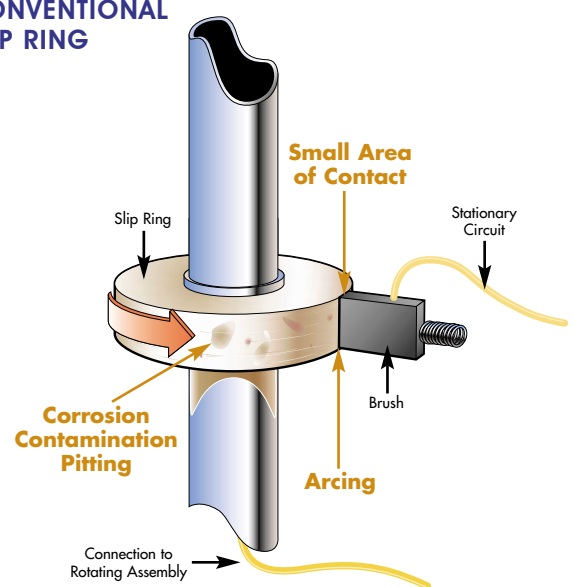
- No maintenance—sealed, internally lubricated assembly
- Lighter weight and simpler, more compact structure
- Lower profile—up to 75% less height than slip rings
- Longer life, field proven, reliable performance
- Lower cost, making your product more competitive
- Configuration options—position sensing, circuit selections, all to meet your needs

POWER PLATE TECHNOLOGY—A CLEAR BENEFIT

POWER PLATE SLIP PLATE



CONVENTIONAL SLIP RING



POWER PLATE™
POWER PLATE™ XD

ELECTRICAL TRANSMISSION

CHOICES FOR YOUR PRODUCT

Continuous connection technology is available in models to fit your application. Choose from the lightweight, low cost POWER PLATE or the heavy duty POWER PLATE XD. Either way, you'll improve your product.

POWER PLATE—

The Low Cost, Ready-to-Go Solution

The POWER PLATE model, with a high-impact plastic case and molded-in components, is the economical solution for a broad spectrum of applications. The standard configuration of twelve, 20 A prewired circuits eliminates assembly line internal wiring. An environmentally sealed housing and dry lubricant eliminate maintenance cost. And at only 2.6 pounds, it's the choice for weight-critical applications.

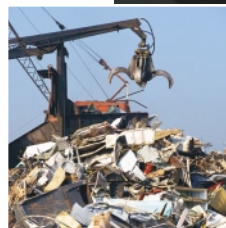
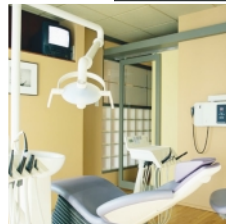
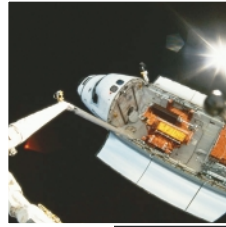
POWER PLATE XD—

For More Demanding Environments

The rugged POWER PLATE XD slip plate is built in a hermetically sealed aluminum case. Configurations can be tailored for your product, including absolute analog position encoder, number of circuits installed, and mounting arrangements. A dielectric lubricant fill reduces temperatures in higher speed use, while it maintains stable circuit continuity. POWER PLATE XD is the right fit for more rigorous applications.

PUT POWER PLATE TECHNOLOGY TO WORK

In applications from mobile equipment to machinery, robotics to rotating signs, and throughout industry, POWER PLATE is the name to choose. It is the best solution for smooth, trouble-free rotating power and information transmission. Contact Hydromotion for details specific to your application.



A WORLD OF APPLICATIONS

Applications abound, wherever power, or analog or digital signals must be sent through rotating platforms.

POWER PLATE and POWER PLATE XD slip plates have applications in both stationary and mobile equipment, including:

- Aerospace*
- Agriculture*
- Chemical handling*
- Data communication and transmission*
- Forestry equipment*
- Industrial automation*
- Machine tools*
- Marine*
- Material handling*
- Medical equipment*
- Military/Government*
- Mining/Construction*
- Mobile lifting and attachments*
- Papermaking*
- Robotics*
- Rotary signage*
- Tank farms*

	POWER PLATE	POWER PLATE XD	POWER PLATE CUSTOM
Circuits	12	2 to 38	Custom Design and Configuration to Meet Customer Requirements
I/O Wiring	12 gauge	18 to 10 gauge	
Maximum Current per Plate	20 A	30 A	
Speed	10 RPM	20 RPM	
Housing	High-impact plastic; environmentally sealed to exclude dirt and water	Anodized aluminum; hermetically sealed	
Mounting	2, ⁵ / ₁₆ -18 UNC threaded holes on 2 ¹ / ₂ " bolt circle	2, ⁵ / ₁₆ -18 UNC threaded holes on 2 ¹ / ₂ " bolt circle	
Lubrication	Dry lubricant	Silicone oil	
Position Sensor	N/A	Absolute encoder 0.5-4.5 VDC output	
Options	Fixed standard configuration	Customized for customer requirements	



Hydromotion Inc.
85 East Bridge Street
Spring City, PA 19475
Tel: (610) 948-4150
Fax: (610) 948-6733
www.hydromotion.com

A HYDROMOTION SOLUTION

Hydromotion has specialized in the design and manufacture of electric slip plates, fluid swivels, position sensing systems, and telescoping waterway assemblies for over 30 years. Our patented designs, complemented by our engineering and manufacturing processes, ensure the highest performance and quality in all our products. With a strong engineering orientation, we can be certain that our standard and custom designed products meet our customers' exact requirements.

Hydromotion is a fully owned subsidiary of Texas Hydraulics, Inc.

